

BASTOW®

TAPWARE

Burnley



Available in warm, traditional Brass Gold Plate and classic, brilliant Chrome, Burnley by Bastow provides quality, durability, style and design flexibility to even the most discerning interior designer or renovator.



Basin Set ★★★★★

Burnley

The truly classic design of Burnley by Bastow is inspired by the elegant style of a bygone era. Perfectly at home in a period style bathroom, Burnley's uncomplicated lines make it equally comfortable in the homes of today.

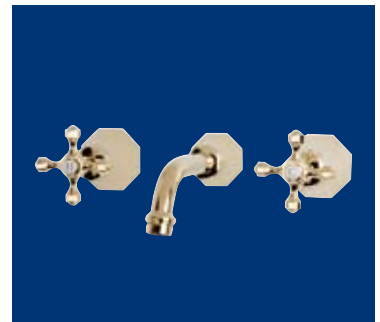
Burnley features a classic octagonal design and sophisticated detailing which captures the look and feel of authentic period tapware while still appealing to the mainstream.



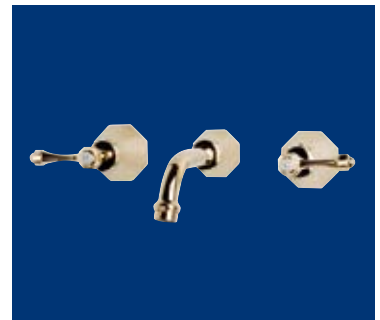
Basin Set ★★★★★



Basin Lever Set ★★★★★



Bath Set ^



Bath Lever Set ^



★★★★★



★★★



Shower Set ★★★



Shower Lever Set ★★★

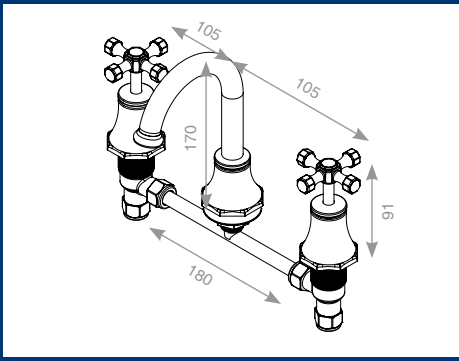


Laundry Set ★★★★★

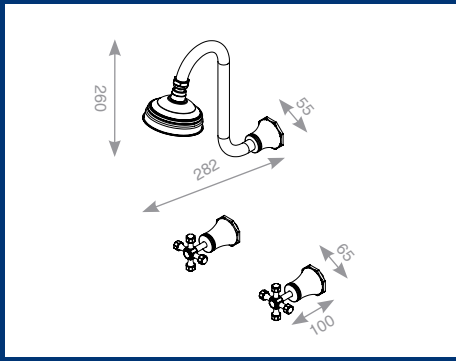


Laundry Lever Set ★★★★★

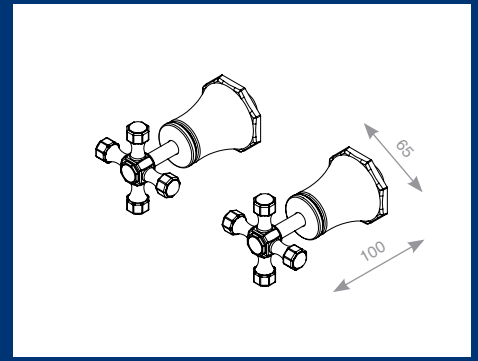
^WELS does not apply



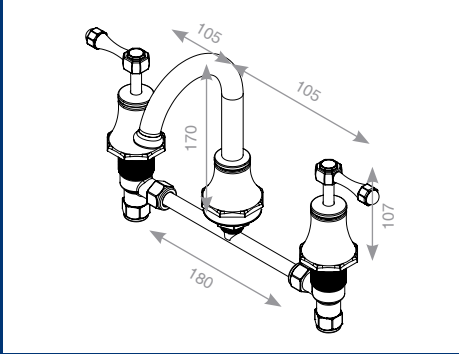
Basin Set



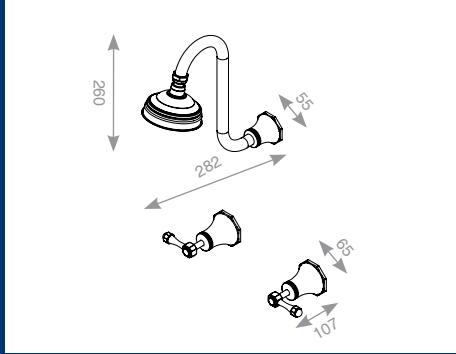
Shower Set



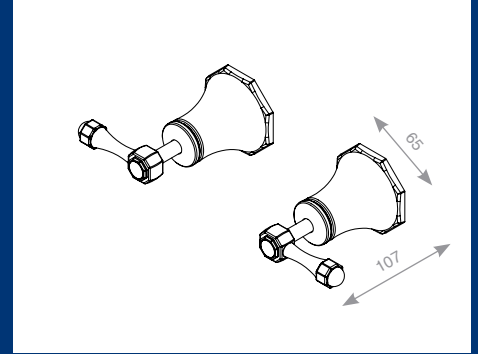
Wall Top Assemblies



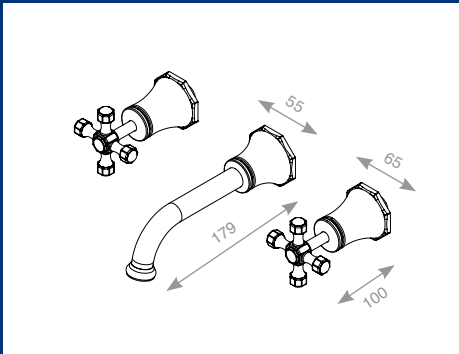
Basin Lever Set



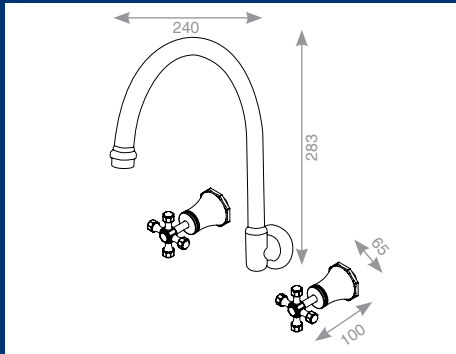
Shower Lever Set



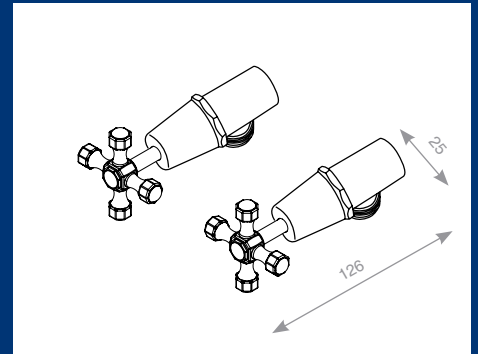
Wall Top Assemblies Lever



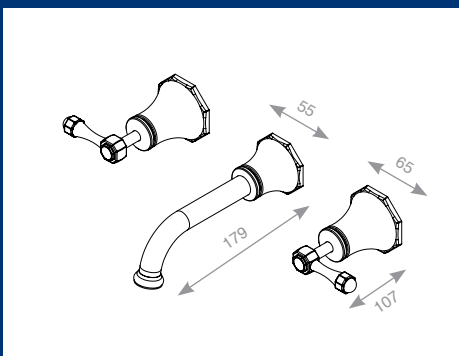
Bath Set



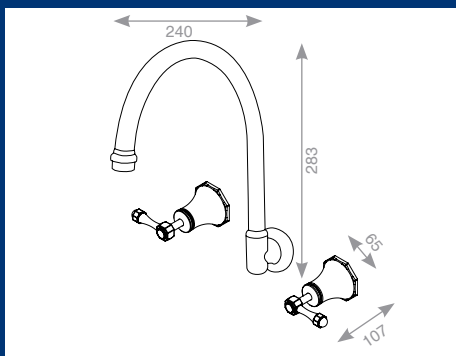
Laundry Set



Washing Machine Stops



Bath Lever Set



Laundry Lever Set

Warranty

If the product is found to be of faulty manufacture and is returned within the period of a year, Award Brands Pty Ltd will either replace the goods or supply equivalent goods; repair the goods; or credit the customer to the extent of the price of the goods as at the date of delivery. The warranty does not cover normal wear and tear or any damage caused by accident or misuse. For full warranty terms and conditions please contact Award Brands on 1800 354 435.

All information contained in this brochure should serve as a guide only and is subject to change without notice. Crane Distribution Limited does not invite any person to act or rely upon such information and liability for such information is excluded. Without limitation colours, styles and brands shown in this brochure are indicative only and should not be relied upon. No representation is made regarding the types of use or availability of such items from Crane Distribution Limited stores.

Tradelink, Boots, Coleman's Plumbing and H&L Building are business names of Crane Distribution Limited ABN 29 000 003 832 trading as Tradelink Plumbing Centres, National Support Office, 1051 Nudgee Road, Banyo, QLD 4014. © Crane Distribution Limited.

ADV05343

BASTOW 07/07



An Australian owned company

Your local stockists are

Tradelink To find your nearest Tradelink call: **1800 228 476** or visit www.tradelink.com.au

BOOTS PLUMBING SUPPLIES **COLEMAN'S** PLUMBING SUPPLIES **H&L** BUILDERS SUPPLIES



Australian Standard
Tapware Certified
AS3718 Lic. 1699
Standard Australia

Award Brands Pty Ltd ABN 72 006 390 594
557 Burwood Highway Knoxfield Victoria Australia 3180
Ph (03) 9871 8444 **Ph** 1800 354 435 (Outside Victoria)
Fax (03) 9801 5255 **Email** sales@awardbrands.com.au
www.bastow.com.au

BASTOW®

TAPWARE

Burnley

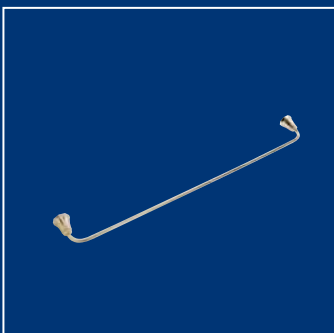
The truly classic design of Burnley by Bastow is inspired by the elegant style of a bygone era. Perfectly at home in a period style bathroom, Burnley's uncomplicated lines make it equally comfortable in the homes of today.

Burnley features a classic octagonal design and sophisticated detailing which captures the look and feel of authentic period bathroom accessories while still appealing to the mainstream.

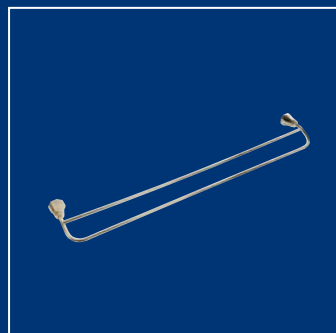
Available in warm, traditional Brass Gold Plate and classic, brilliant Chrome, Burnley by Bastow provides quality, durability, style and design flexibility to even the most discerning interior designer or renovator.



Toilet Roll Holder



Single Towel Rail



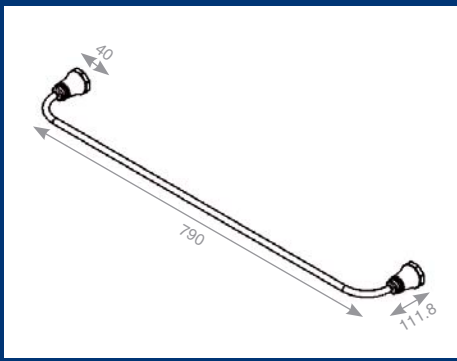
Double Towel Rail



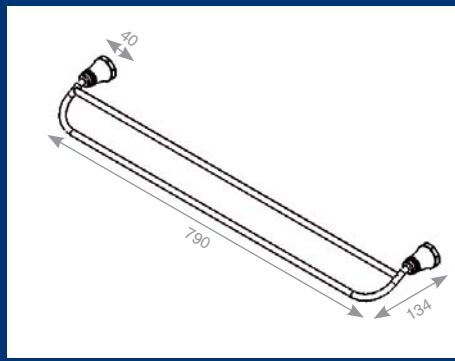
Robe Hook



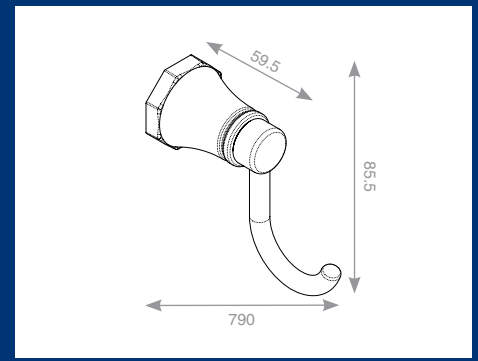
Towel Ring



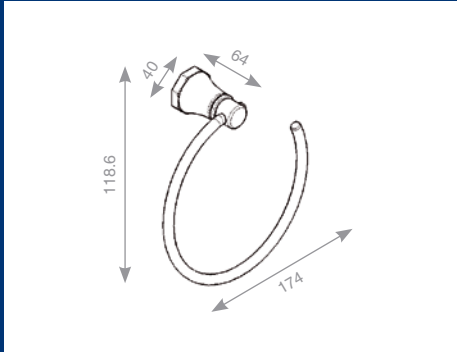
Single Towel Rail



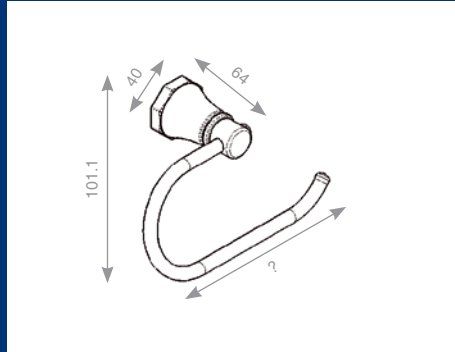
Double Towel Rail



Robe Hook



Towel Ring



Toilet Roll Holder

Warranty

If the product is found to be of faulty manufacture and is returned within the period of a year, Award Brands Pty Ltd will either replace the goods or supply equivalent goods; repair the goods; or credit the customer to the extent of the price of the goods as at the date of delivery. The warranty does not cover normal wear and tear or any damage caused by accident or misuse. For full warranty terms and conditions please contact Award Brands on 1800 354 435.

All information contained in this brochure should serve as a guide only and is subject to change without notice. Crane Distribution Limited does not invite any person to act or rely upon such information and liability for such information is excluded. Without limitation colours, styles and brands shown in this brochure are indicative only and should not be relied upon. No representation is made regarding the types of use or availability of such items from Crane Distribution Limited stores.

Tradelink, Darwin Plumbing Supplies and H&L Building are business names of Crane Distribution Limited ABN 29 000 003 832 trading as Tradelink Plumbing Centres, National Support Office, 1051 Nudgee Road, Banyo, QLD 4014. © Crane Distribution Limited.

ADV05678

BASTOW 04/07



An Australian owned company

Your local stockists are

To find your nearest Tradelink call:
1800 228 476
or visit www.tradelink.com.au



Australian Standard
Tapware Certified
AS3718 Lic. 1699
Standard Australia

Award Brands Pty Ltd ABN 72 006 390 594
557 Burwood Highway Knoxfield Victoria Australia 3180
Ph (03) 9871 8444 **Ph** 1800 354 435 (Outside Victoria)
Fax (03) 9801 5255 **Email** sales@awardbrands.com.au
www.bastow.com.au